

GRAIN HANDLING SYSTEMS

Norstar



U-Trough



Sure Grip Wheel

BIN UNLOADING SYSTEMS



U-Troughs available in 8" and 11" models



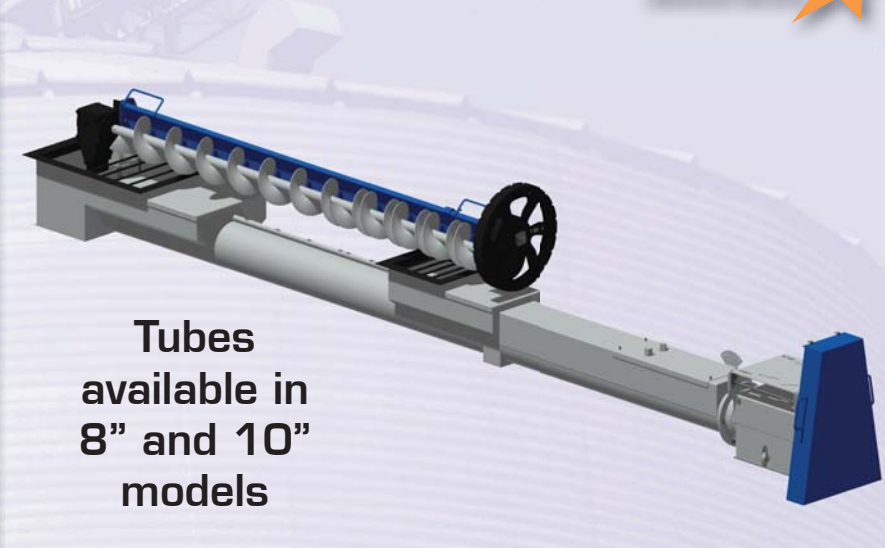
SureGrip Wheel

- Standard SureGrip Wheel
- 18" vulcanized rubber tread design
- 16:1 gear reduction
- Adjustable sweep length
- Positive traction
- Zero entry
- Easy retrofit
- Adaptable to gear driven and portable sweeps
- Backboard clearance adjustment



Gearbox Sweep Drive

- Internal shifting mechanisms
- Non spring-loaded clutch engage
- The unload flighting drives the sweep through a double gearbox
- Self propelled sweep, no need to enter bin
- Sweep safety stop externally controlled
- Optional upgrade from 7 1/4" flighting to 9"



Tubes available in 8" and 10" models

Tube Unloading Systems complete package includes:

- Tube, flighting, powerhead, gearboxes, SureGrip power sweep, rack and pinion slide gates

Also Available: Manual Tube Unloads

- Basic unload, manual slide gates, control rods, sweep pivot rods

Unload Features

- Widemouth Gate provides greater capacity at the center sump, minimizes clumping issues in bin, as well as maximizes 360 degree grain flow.
- Gates run on NyLatron rollers for less friction and ease of opening and closing operation.
- Rack and pinion gate control for safe and easy opening of gates.
- Powder Coating is standard on all products. It is chip resistant and more durable than wet enamel paint. UV resistant, glossy finish, protective hard shell. Longer lasting than galvanized steel.



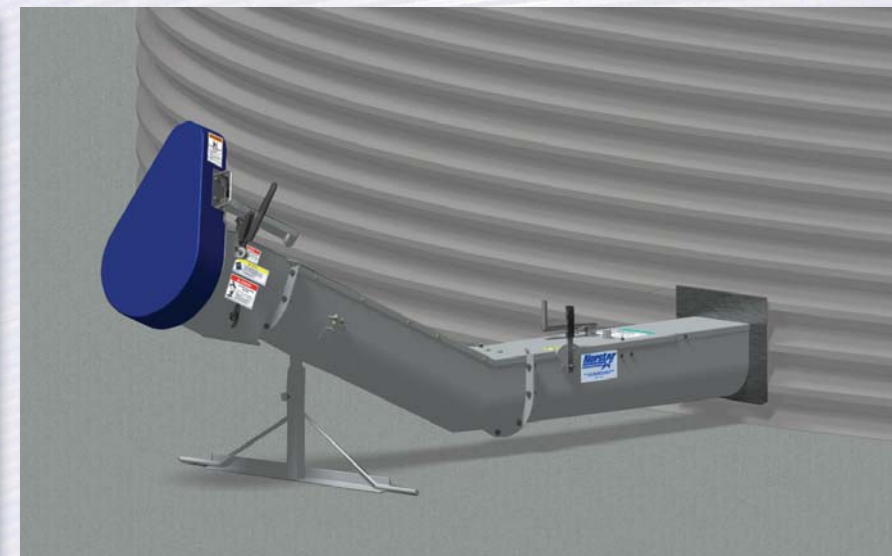
Rubber Crank Seal

- Encourages water run-off.
- Protects the rack and pinion from external moisture.



Horizontal Power Head

- For use with unloads that are more than 24" off the ground to allow for portable grain auger hopper.
- Factory installed hanger bearing with oil impregnated bearing.
- Quick detach motor mount is provided to move motor from bin to bin, or to store during the off season.
- Available in electric or hydraulic drives



25° Incline

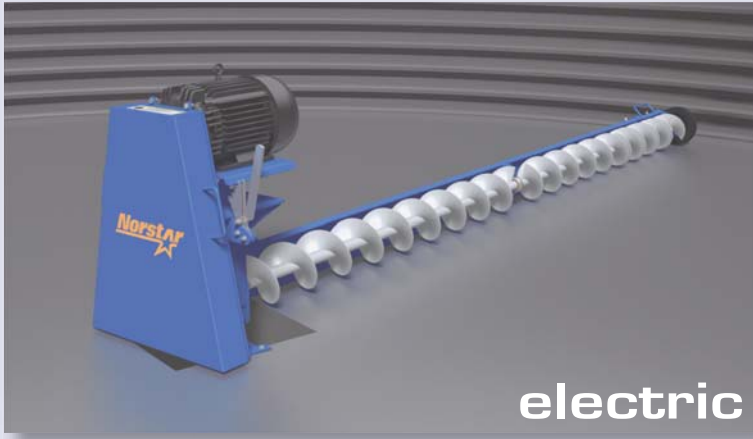
- For use with unloads that are less than 24" off the ground to allow for portable grain auger hoppers.
- Comes with a stand to support the weight of the incline.
- Optional caddy wheels are available to move incline from bin to bin.
- Available in electric or hydraulic drives



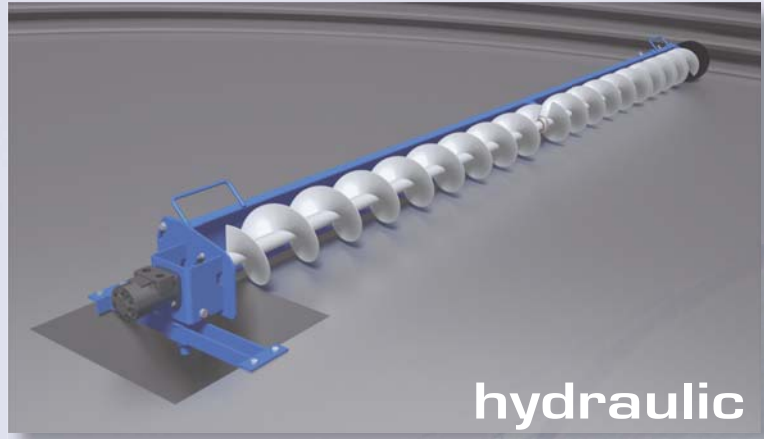
Vertical Power Head

- Designed specifically to load grain directly onto trucks.
- Only one motor is required which drives the horizontal and vertical flightings.
- Available for 8" and 11" U-Troughs and 8" and 10" Tubes

PORTABLE MOTORIZED SWEEPS



electric



hydraulic

- Available in 7 1/4" and 9" Sweep Models.
- Easily moved from bin to bin.
- Available in electric or hydraulic models.
- Designed to complete the unloading process of your grain bin after gravity flow of the grain has stopped.
- After gravity flow has stopped, carry the bin sweep into the grain bin and slip the pivot pin into the center hopper receptacle. The bin sweep will lay on the grain at the angle the grain stopped flowing.
- To operate the sweep, start the motor on the powerhead, first, and then the motor on the bin sweep. The bin sweep will work its way down to the floor.
- Once the bin sweep reaches the floor level, the wheel at the end of the sweep propels it into the grain.
- Optional SureGrip wheel is available

CAUTION! Do NOT enter the bin while equipment is in operation.

U-TROUGH POWER REQUIREMENTS

Unload Capacities up to 8,170 BPH based on 460 RPM

Bin Dia (ft)	U-Trough H.P.		# of Sumps
	8"	11"	
14/15	5 hp	5 hp	2
18/19	5 hp	7.5 hp	2
20/22	5 hp	7.5 hp	2
24/26	7.5 hp	7.5 hp	2
27/29	10 hp	10 hp	3
30/31	10 hp	10 hp	3
32/34	10 hp	10 hp	3
35/37	10 hp	10 hp	3

Bin Dia (ft)	U-Trough H.P.		# of Sumps
	8"	11"	
38/40	10 hp	15 hp	3
42/43	15 hp	15 hp	4
44/46	15 hp	15 hp	4
48/50	15 hp	15 hp	4
54	-	15 hp	4
60	-	20 hp	4
72	-	20 hp	5



Distributed By:

PO Box 119 RR1, Morris, Manitoba ROG 1K0
 Toll Free: (855) 746-8200 Phone: (204) 746-8200
 Fax: (204) 746-8074 e-mail: info@norstarindustries.ca
www.norstarindustries.ca